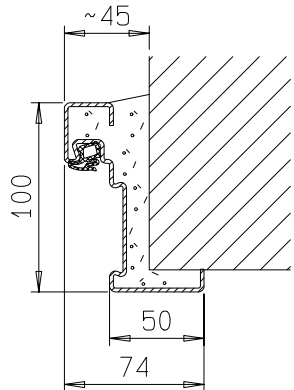
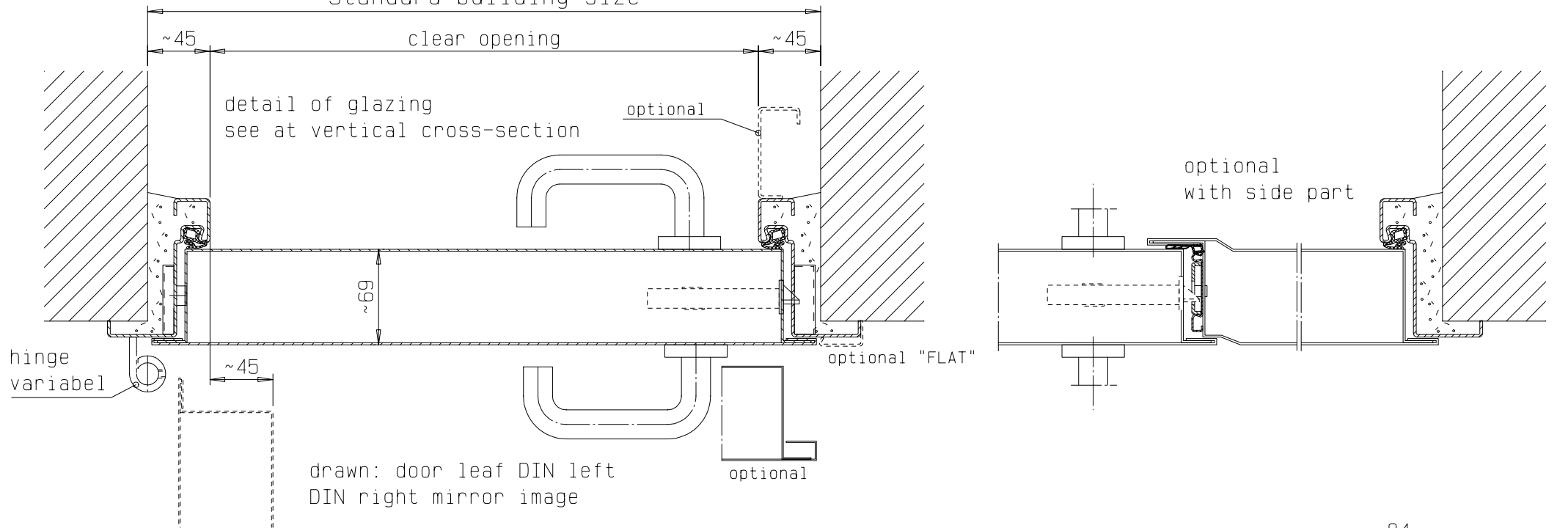
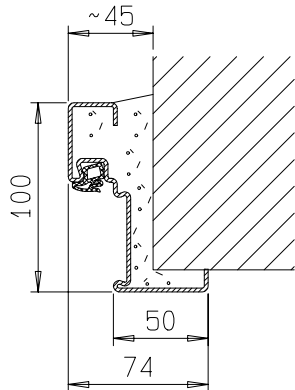


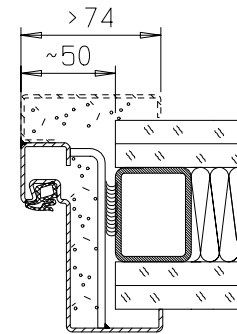
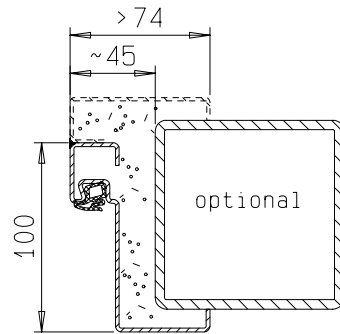
Standard building size



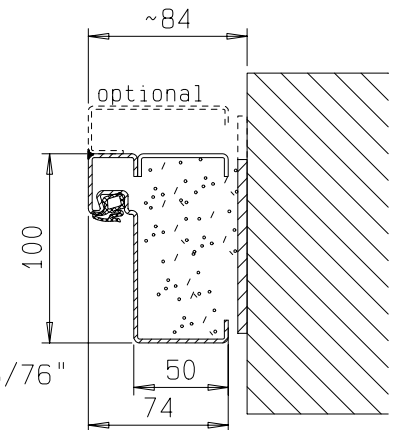
frame "ZNG 68/76",
optional



frame "ZNG 58/76",
optional



frame "ZG 68/76"

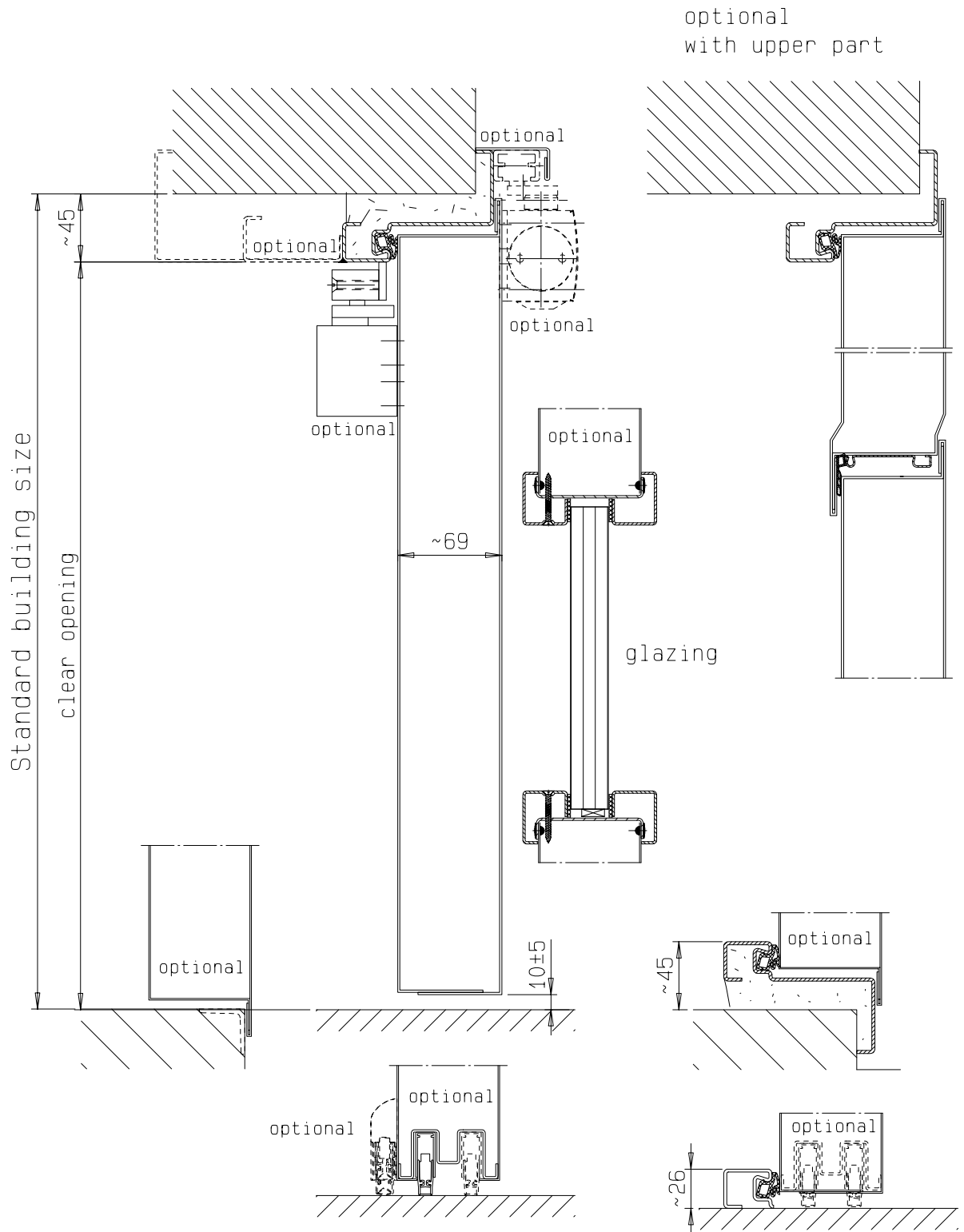


FRANZEN
Feuerschutztüren

Gerhard-Welter-Straße 7; 41812 Erkelenz

single leaf steel external door
"System Schröders ASN-1"

horizontal cross-section



FRANZEN
Feuerschutztüren

Gerhard-Welter-Straße 7; 41812 Erkelenz

single leaf steel external door
"System Schröders ASN-1"
vertical cross-section