

detail of glazing  
see vertical cross-section



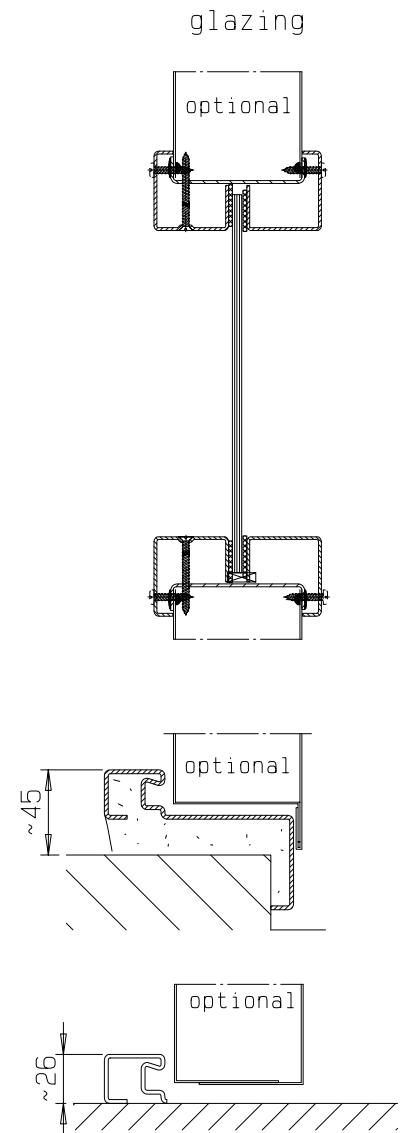
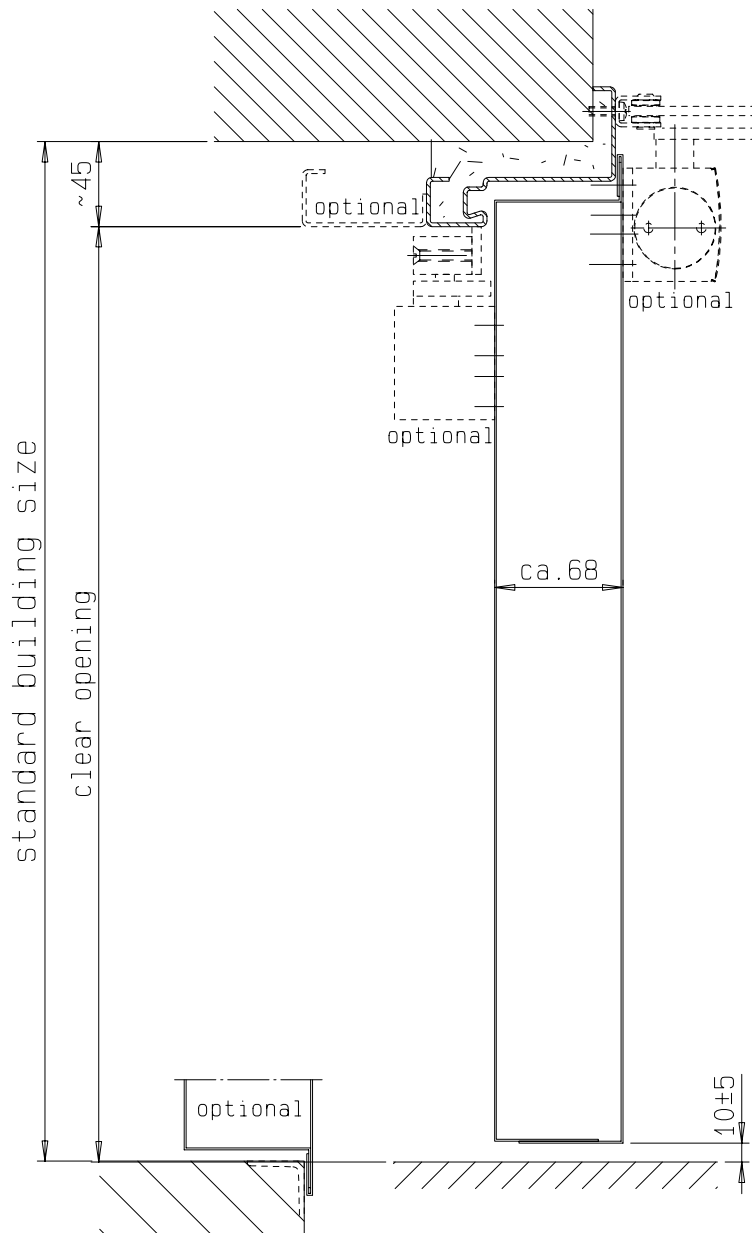
**FRANZEN**  
Feuerschutztüren

Gerhard-Welter-Straße 7; 41812 Erkelenz

**double leaf steel fire door**  
**E60/EW60**

**"System Schröders ES-2"**

horizontal cross-section



fitting details respectively frames, look at horizontal cross-section



**FRANZEN**  
Feuerschutztüren

Gerhard-Welter-Straße 7; 41812 Erkelenz

**double leaf steel fire door**  
**E60/EW60**

**"System Schröders ES-2"**

vertical cross-section