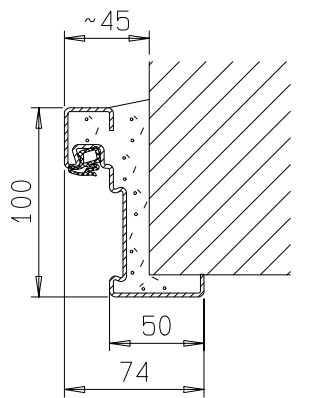
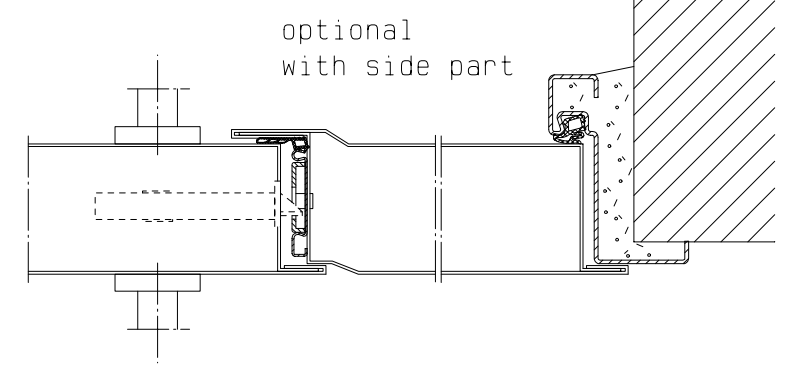
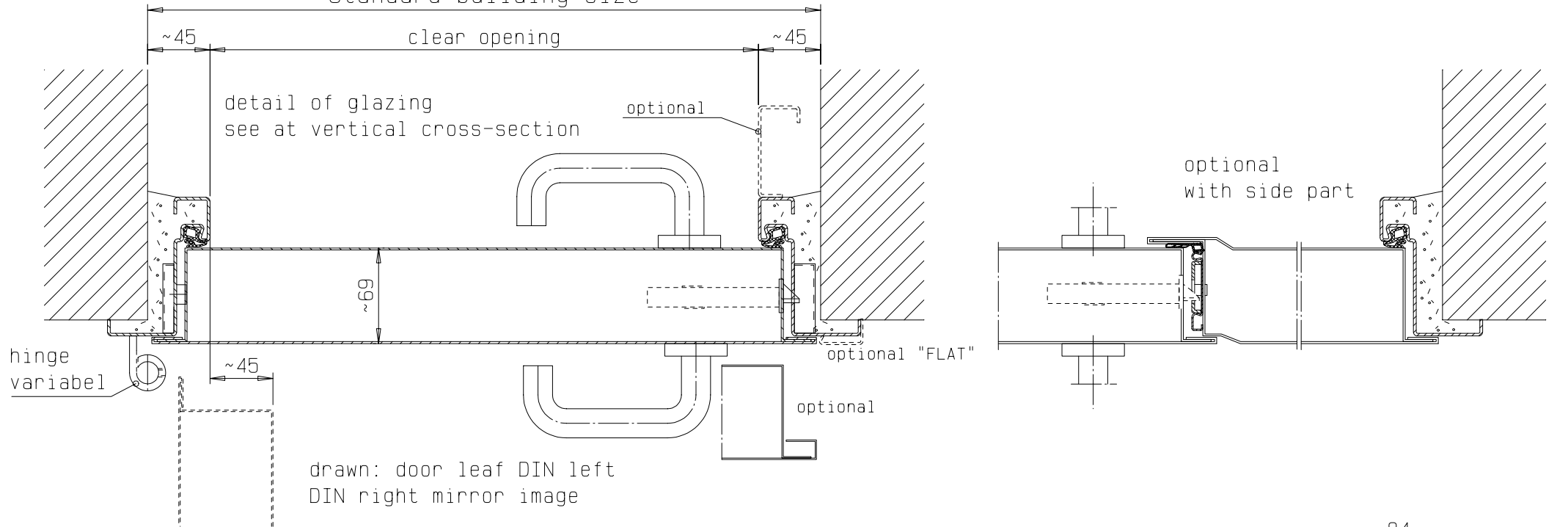
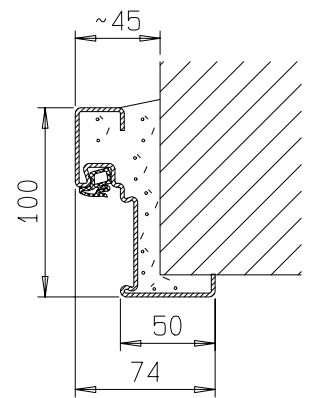


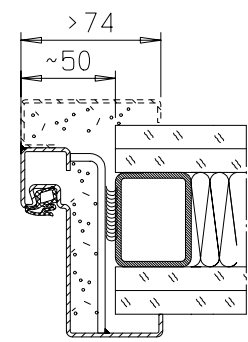
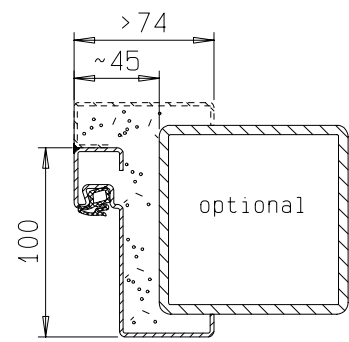
Standard building size



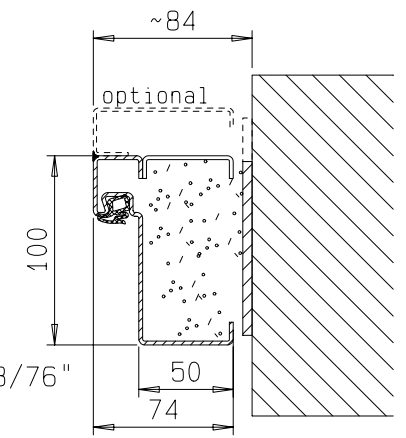
frame "ZNG 68/76", optional



frame "ZNG 58/76", optional



frame "ZG 68/76"



FRANZEN
Feuerschutztüren

Gerhard-Welter-Straße 7; 41812 Erkelenz

single leaf steel internal door
"System Schröders ISN-1"

horizontal cross-section

