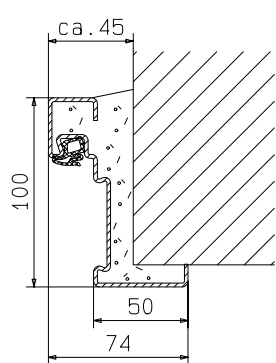
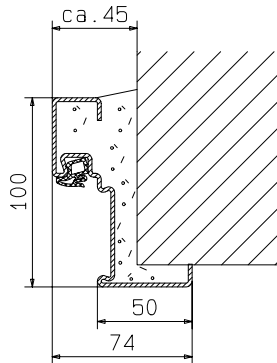


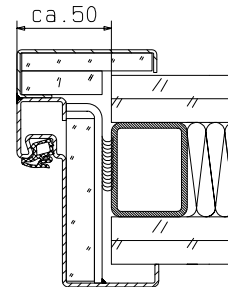
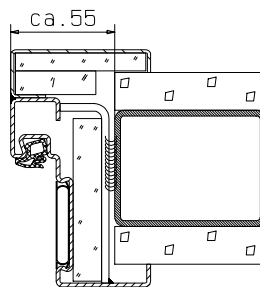
Available with CE label as a external door appropriate to EN 14351-1



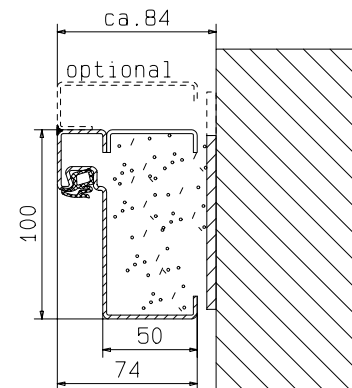
frame "ZNG 68/76",
optional



frame "ZNG 58/76",
optional at thick rebate



frame "ZG 68/76"



To consider the best possible noise reduction, the wall construction has to have minimum the same specification of noise reduction like the door.

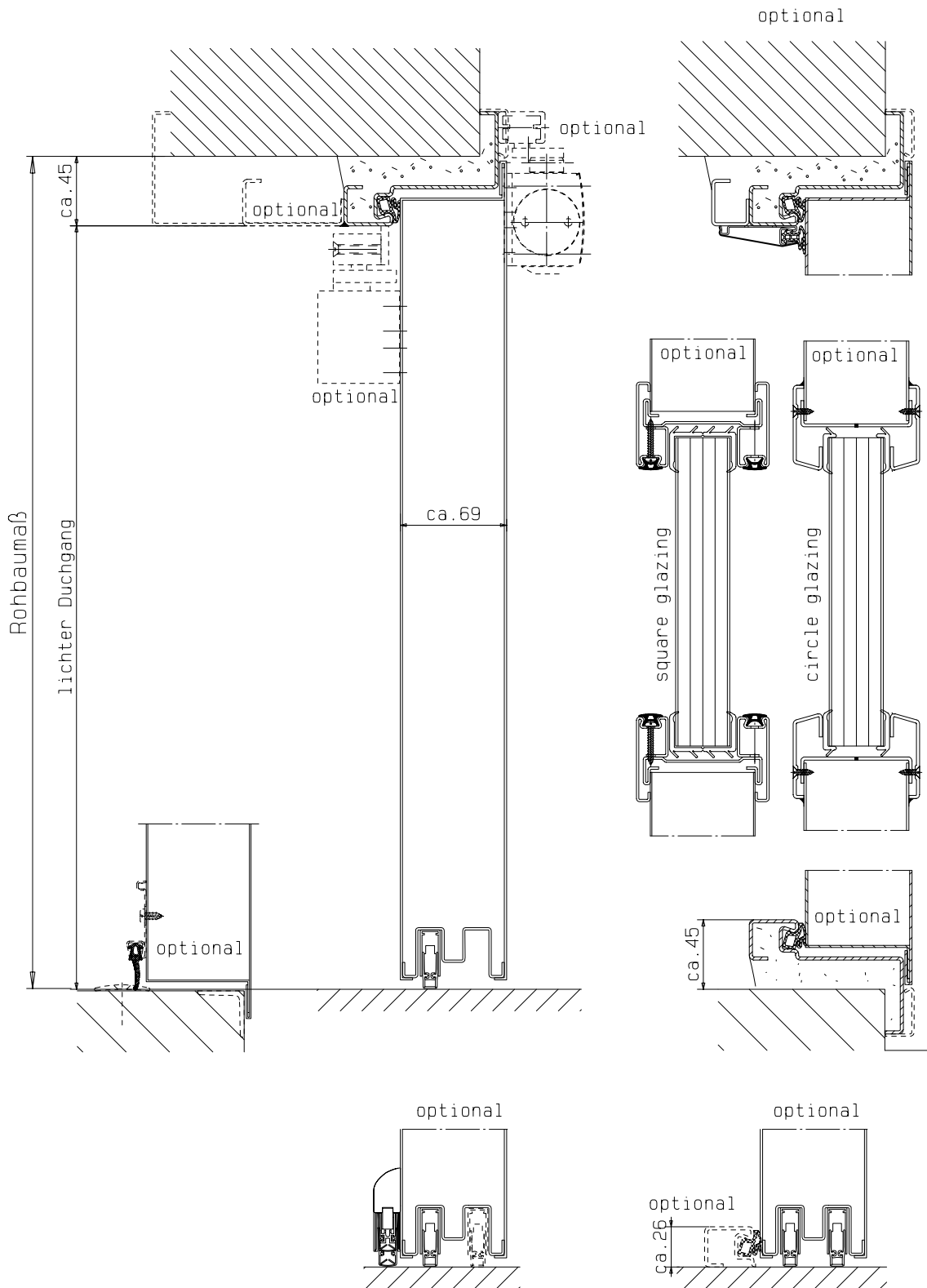


FRANZEN
Feuerschutztüren

Gerhard-Welter-Straße 7; 41812 Erkelenz

**single leaf steel door
for acoustic performance
"System Schröders SN-1"**

horizontal cross-section



Available with CE label as a external door appropriate to EN 14351-1



FRANZEN
Feuerschutztüren

Gerhard-Welter-Straße 7; 41812 Erkelenz

single leaf steel door
for acoustic performance
"System Schröders SN-1"
vertical cross-section