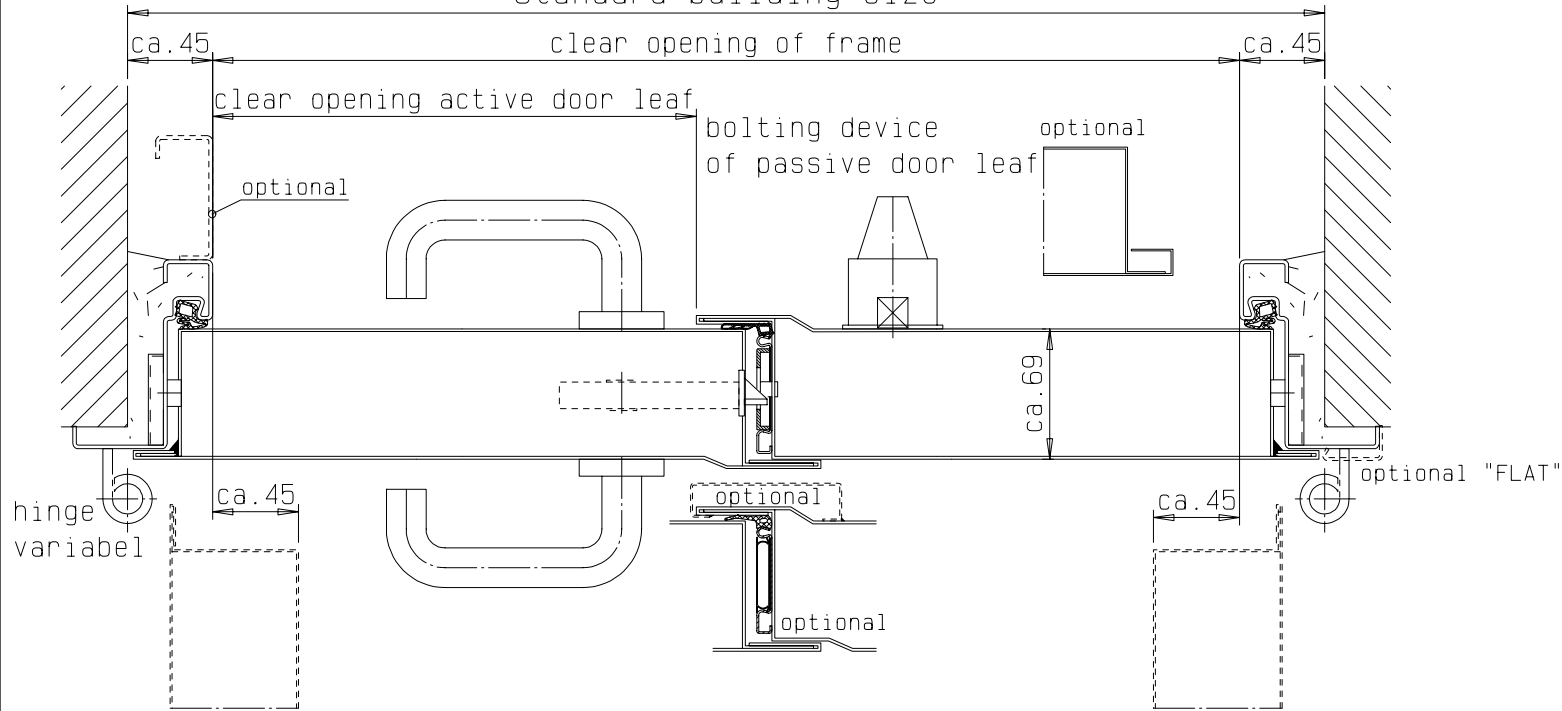
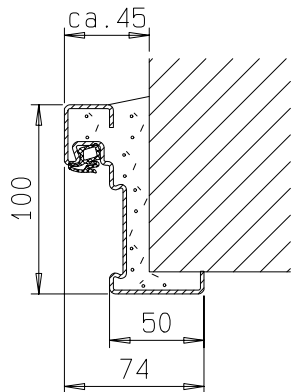


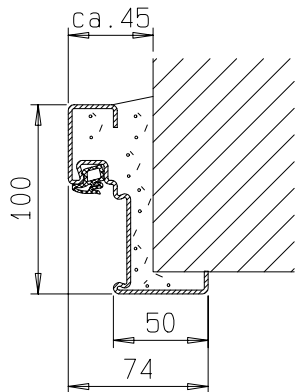
Standard building size



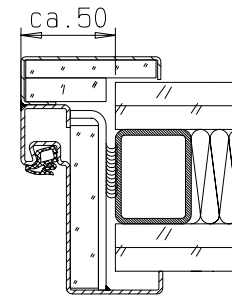
drawn: door leaf DIN left
DIN right mirror image



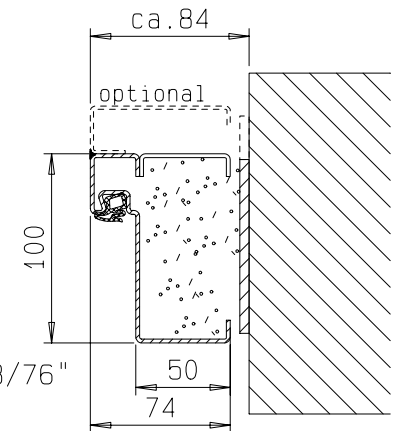
frame "ZNG 68/76",
optional



frame "ZNG 58/76",
optional



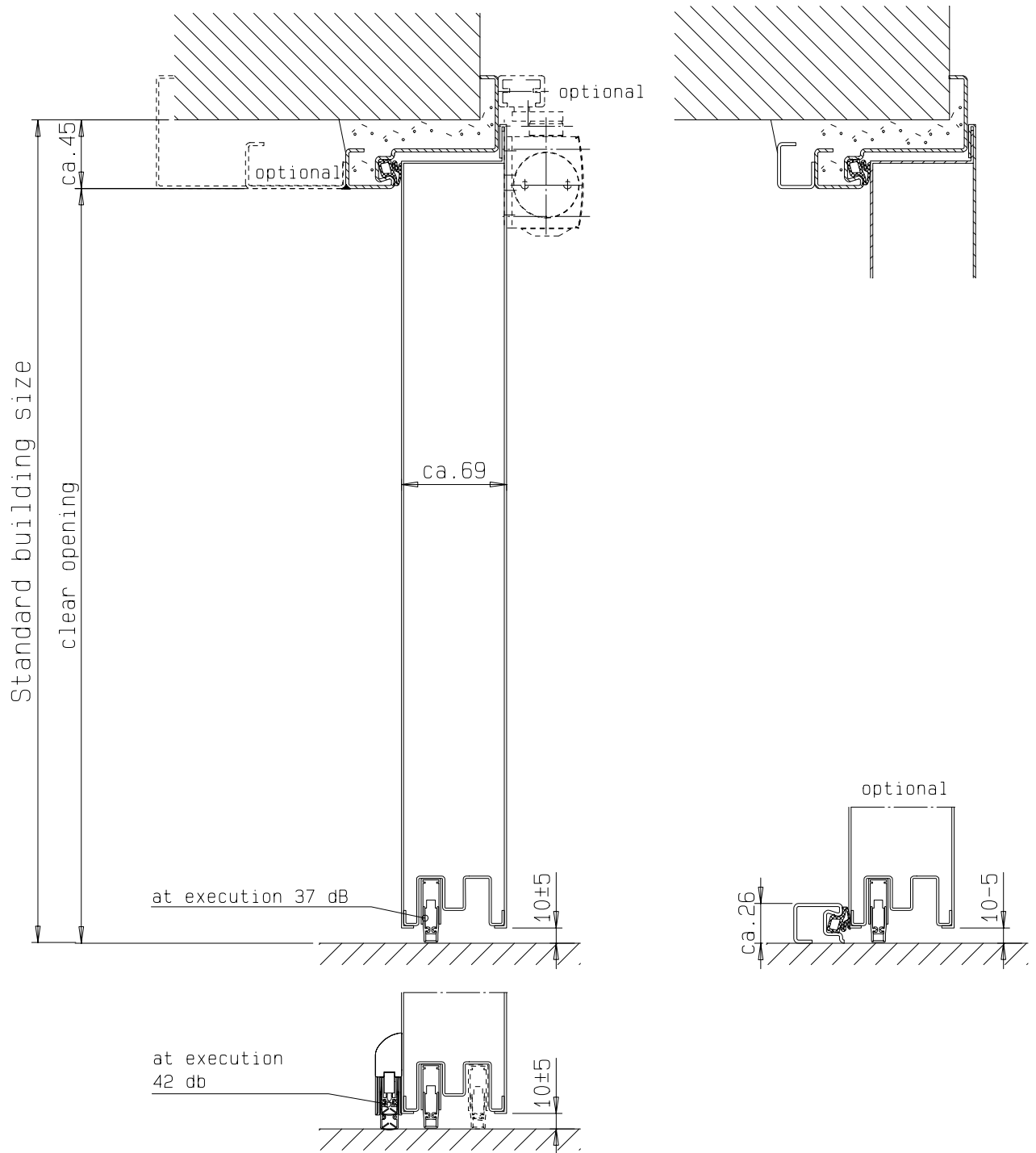
frame "ZG 68/76",
optional



FRANZEN
Feuerschutztüren

Gerhard-Welter-Straße 7; 41812 Erkelenz

**double leaf steel door
for acoustic performance
"System Schröders SN-2"**
horizontal cross-section



FRANZEN
Feuerschutztüren

Gerhard-Welter-Straße 7; 41812 Erkelenz

**double leaf steel door
for acoustic performance
"System Schröders SN-2"**

vertical cross-section