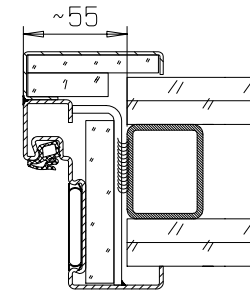


insulated  
steel profil EI 90



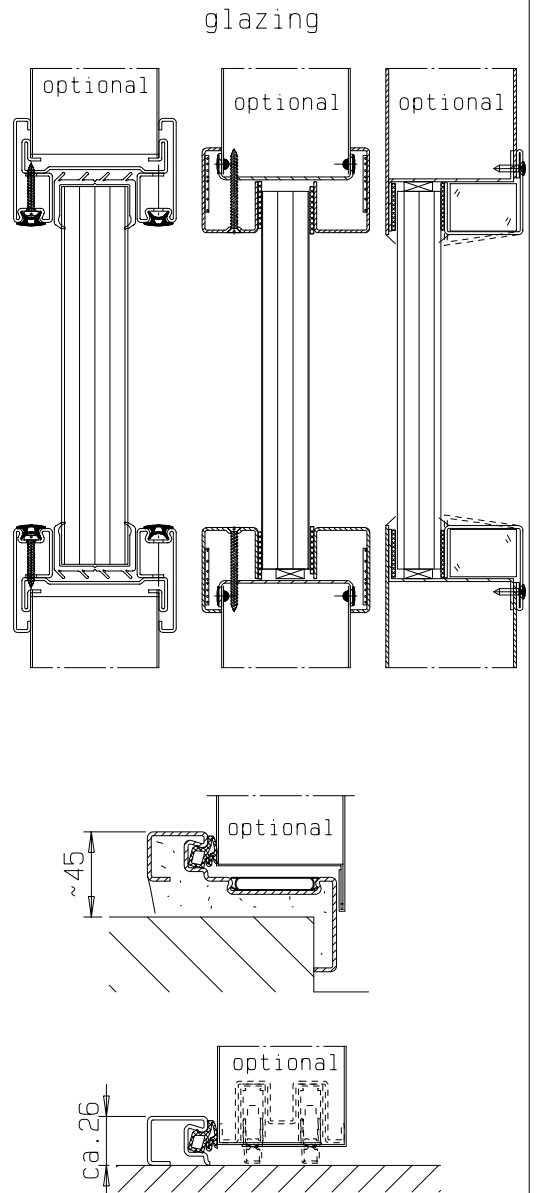
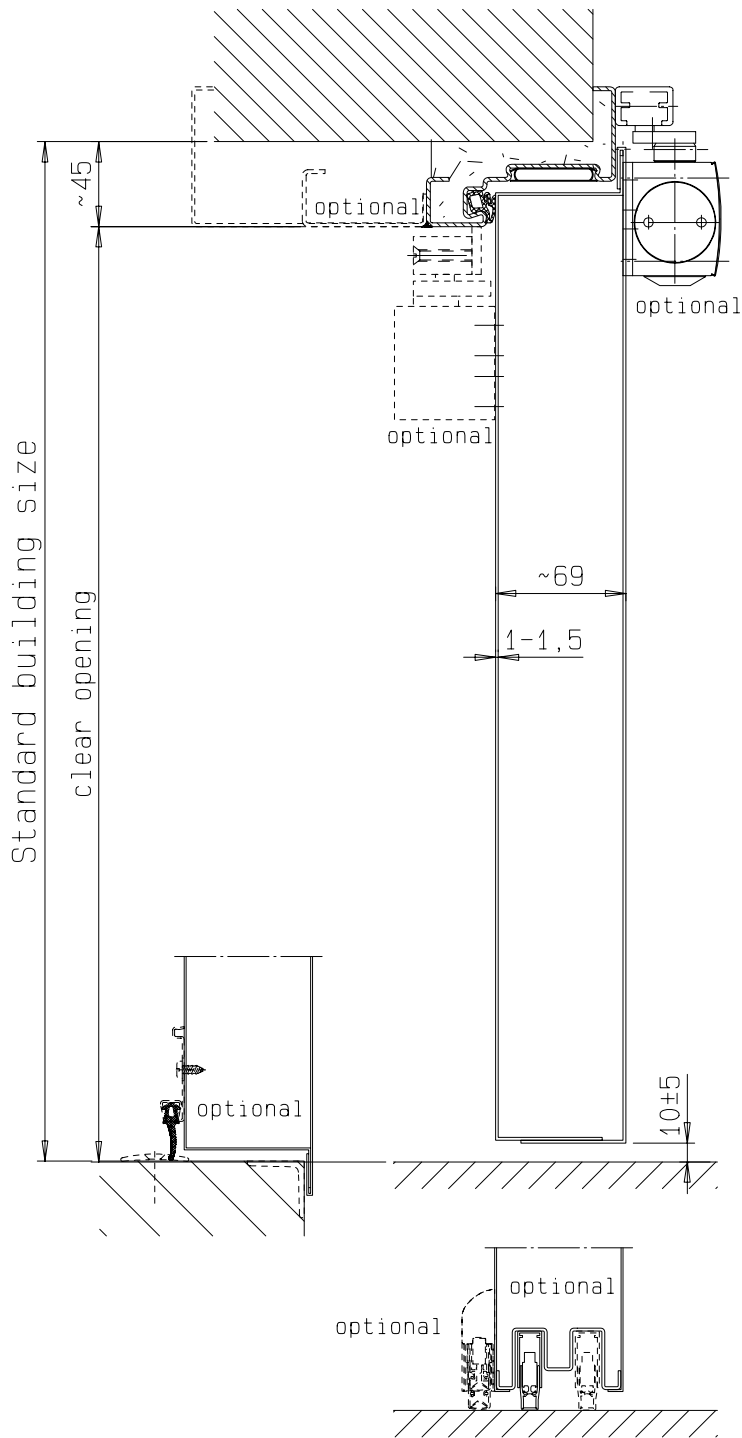
flexible wall EI90



**FRANZEN**  
Feuerschutztüren

Gerhard-Welter-Straße 7; 41812 Erkelenz

**single leaf steel fire door**  
**EI<sub>260</sub>/E60/EW60-C5-S<sub>a</sub>(S<sub>200</sub>)**  
**"System Schröders TSN-3"**  
horizontal cross-section



details of fitting or frame  
see at horizontal cross-section



**FRANZEN**  
Feuerschutztüren

Gerhard-Welter-Straße 7; 41812 Erkelenz

**single leaf steel fire door**  
**EI260/E60/EW60-C5-S2(S200)**  
**"System Schröders TSN-3"**  
vertical cross-section