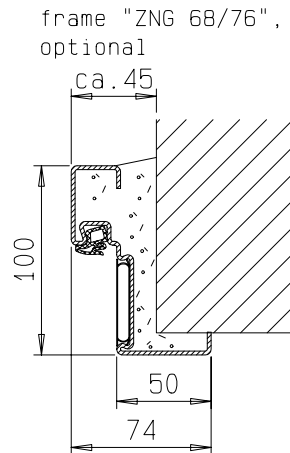
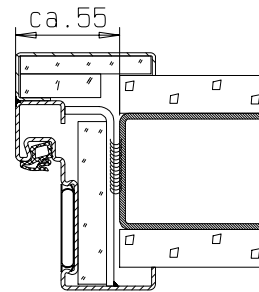


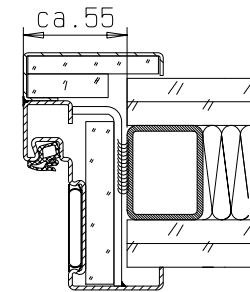
frame "ZNG 68/76"



frame "ZNG 68/76", optional



insulated steel profil EI 90



flexible wall EI90

detail of glazing
see vertical cross-section

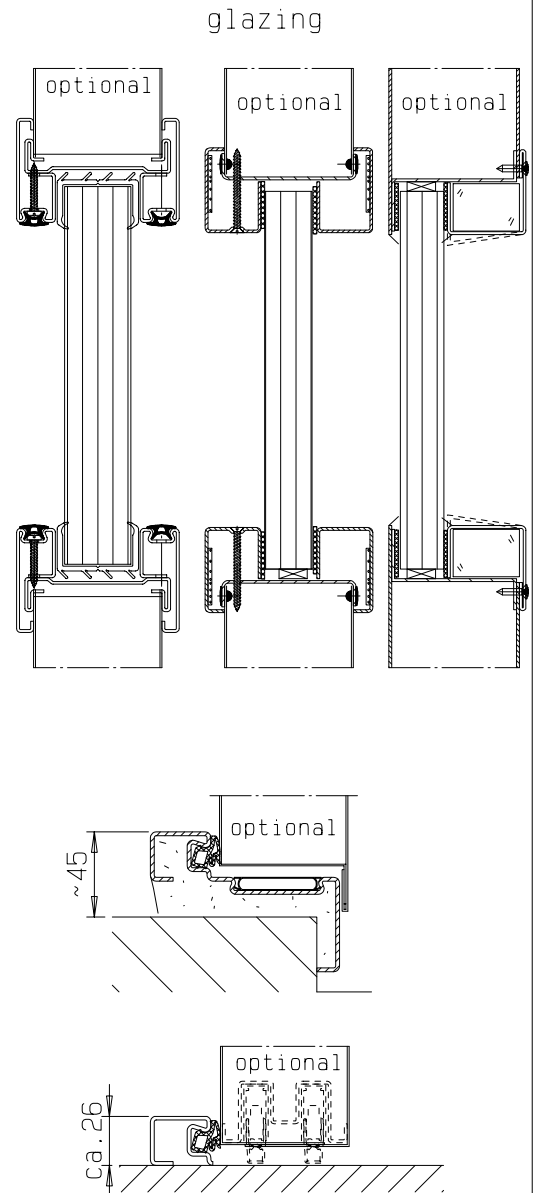
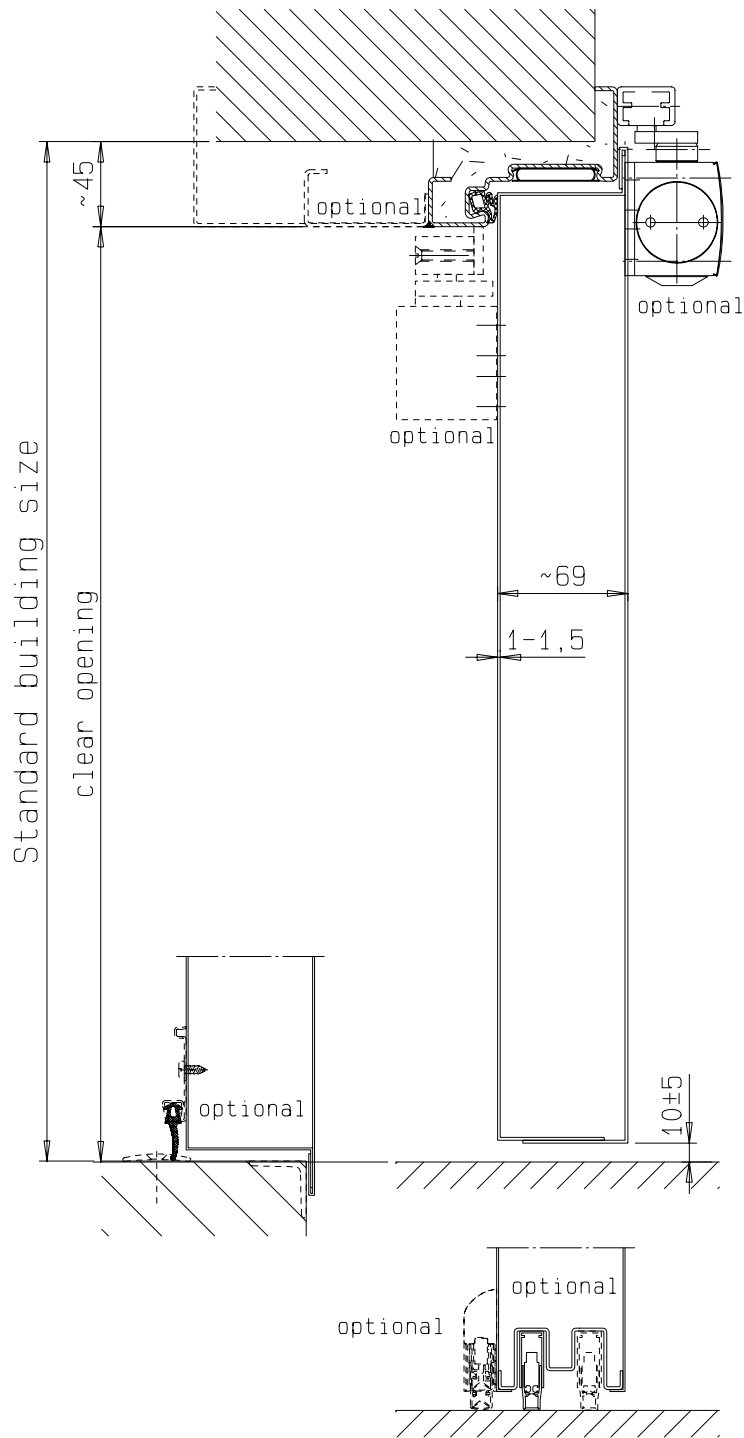


FRANZEN
Feuerschutztüren

Gerhard-Welter-Straße 7; 41812 Erkelenz

double leaf steel fire door
EI₂60/E60/EW60-C5-S_a(S₂₀₀)
"System Schröders TSN-4"

horizontal cross-section



details of fitting or frame
see at horizontal cross-section



FRANZEN
Feuerschutztüren

Gerhard-Welter-Straße 7; 41812 Erkelenz

double leaf steel fire door
EI₂60/E60/EW60-C₅-S₂(S₂₀₀)
"System Schröders TSN-4"
vertical cross-section